

1) Receiver, 2) Display and control panel, 3) Emitter



Basic features

Additional features	Object number binary coded on 3 switching outputs
Approval/Conformity	CE WEEE cULus UKCA
Basic standard	IEC 60947-5-2
Principle of operation	Light array
Scope of delivery	Holding system Connection cable (emitter - receiver) Manual Cable
Series	D
Style	Square Straight connection

Display/Operation

Adjuster	Key (4x)
Display	Run - LED green CCD signal - OLED display Setting menu - OLED display Measuring mode - OLED display Analog meas.val. - OLED displ. Object in meas. field - LED orange Object mode - OLED display Object number - OLED display Object visualization - OLED display Meas.field limits - OLED disp

Photoelectric Sensors
BLA 72D-001-S115
Order Code: **BLA000E**

BALLUFF

Setting	Measurement mode (2 independent measurement values) Object mode (digital values) Meas.field limits Factory setting (Reset) Output active/inactive Analog output V/I Teach in objects (max. 6) Switching output PNP/NPN Read direction of the OLED display Contrast of the OLED display OLED display on/off Normalize CCD signal Calibrate analog outputs Align via CCD signal disp. Signal scaling Setting block Averaging mode Object detection tolerance
---------	---

Electrical connection

Connection	Connector, M12x1-Male, 4-pin
Connection 2	M12x1-Female, 4-pin, A-coded
Connection 3	M12x1-Male, 8-pin, A-coded
Contact, surface protection	Gold plated
Polarity reversal protected	yes
Protection against device mix-ups	yes
Short-circuit protection	yes

Electrical data

Load resistance RL max. (Analog I)	500 ohms
Load resistance RL min. (Analog V)	1 kOhm
No-load current Io max. at Ue	100 mA
Operating voltage Ub	15...30 VDC
Rated insulation voltage Ui	75 V DC
Rated operating current Ie	100 mA
Rated operating voltage Ue DC	24 V
Ready delay tv max.	300 ms
Ripple max. (% of Ue)	10 %

Environmental conditions

Ambient temperature	5...55 °C
EN 60068-2-27, Shock	Half-sinus, 30 gn, 11 ms, 3x6
EN 60068-2-6, Vibration	10...55 Hz, amplitude 1 mm, 3x30 min
IP rating	IP54

Functional safety

MTTF (40 °C)	30 a
--------------	------

Interface

Analog output	2x Analog, voltage/Analog, current 0...10 V/4...20 mA
Switching output	3x PNP/NPN normally open (NO)

Material

Housing material	Aluminium, Anodized
Housing material, surface protection	Anodized
Material sensing surface	Glass
Surface protection	Anodized

Mechanical data

Mounting part	Screw M4
---------------	----------

Optical features

Ambient light max.	5000 Lux
Average power Po max.	65 mW
Beam characteristic	Collimated light strip, width 80 mm
Laser class per IEC 60825-1	1
Light type	Laser red light
Principle of optical operation	Through-beam sensor
Pulse frequency	0.01...1 kHz
Pulse power Pp max.	0.2 mW
Smallest part typ.	Wire Ø 0.3 mm at R0 ≤ 0.25m Wire Ø 0.5 mm at R0 ≤ 1m Wire Ø 1.0 mm at R0 ≤ 2m
Special optical feature	CCD technology
Wave length	650 nm

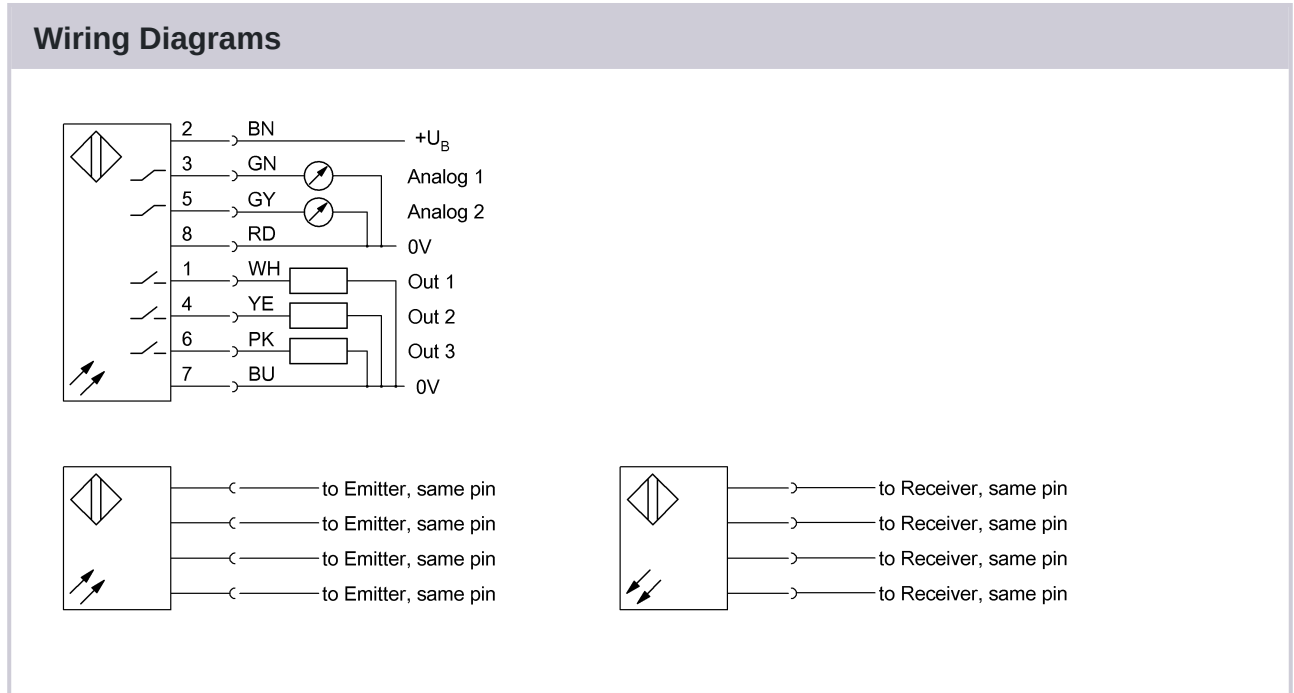
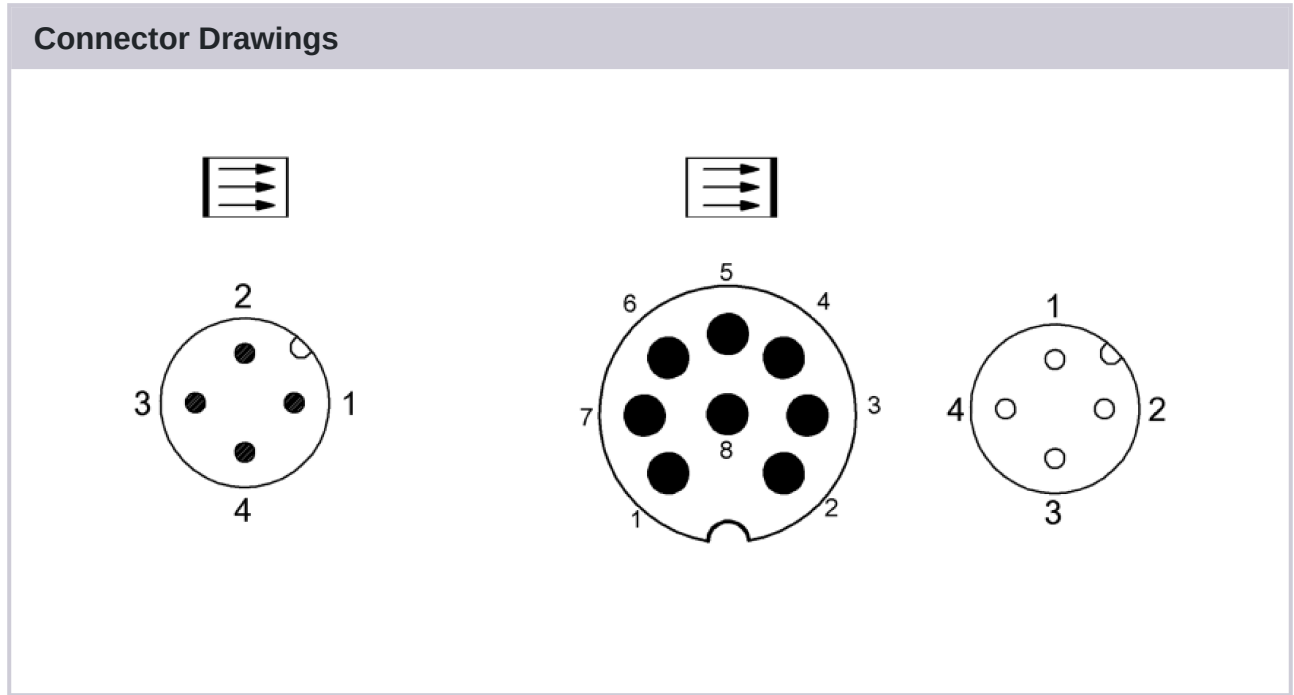
Range/Distance

Accuracy	±30 µm (R0≤0.25m) 60 µm (R0≤1m) 100 µm (R0≤2m)
Active length AL 1	72 mm
Range	0...2 m
Rated operating distance Sn	2 m
Repeat accuracy	15 µm (R0 ≤ 0.25 m) 20 µm (R0 ≤ 1 m) 70 µm (R0 ≤ 2 m)
Resolution	≤ 0.01 mm

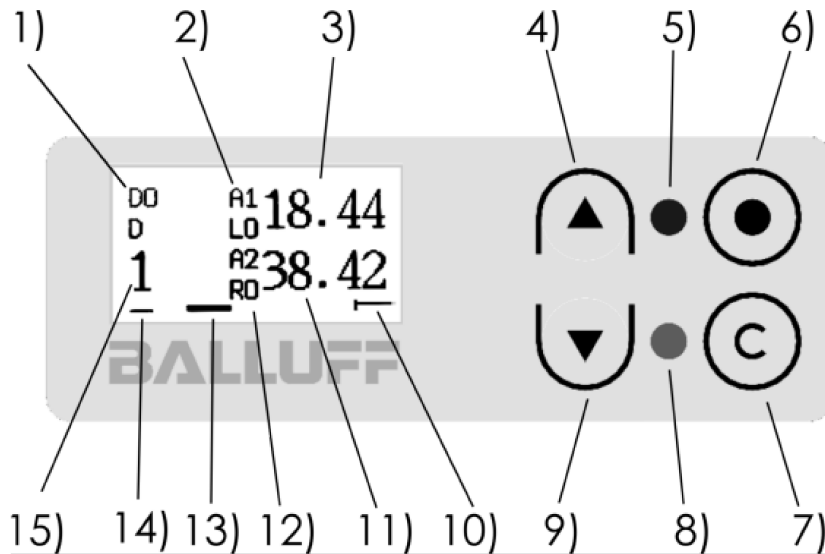
Remarks

For additional information, refer to user's guide.
 Do not press key using a pointed tool.
 Reference object (target): Steel cylinder diameter 8.0 mm.
 For more information about MTTF and B10d see MTTF / B10d Certificate

Indication of the MTTF- / B10d value does not represent a binding composition and/or life expectancy assurance; these are simply experiential values with no warranty implications. These declared values also do not extend the expiration period for defect claims or affect it in any way.

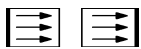


Help Views

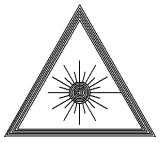


- 1) Object mode digital outputs
- 2) Measuring mode analog out1
- 3) Measured value analog out1
- 4) Scroll / increase value
- 5) LED 2 - Object detected
- 6) Menu, confirm selection
- 7) Discard selection, back
- 8) LED 1 - Operating voltage
- 9) Scroll / Reduce value
- 10) Vis. meas. field - blank.
- 11) Measured value analog out2
- 12) Measuring mode analog out2
- 13) Vis. meas. field - object
- 14) Vis. meas. field - autobl.
- 15) No. of identified object

Opto Symbols



Warning Symbols



LASER CLASS 1 per IEC 60825-1